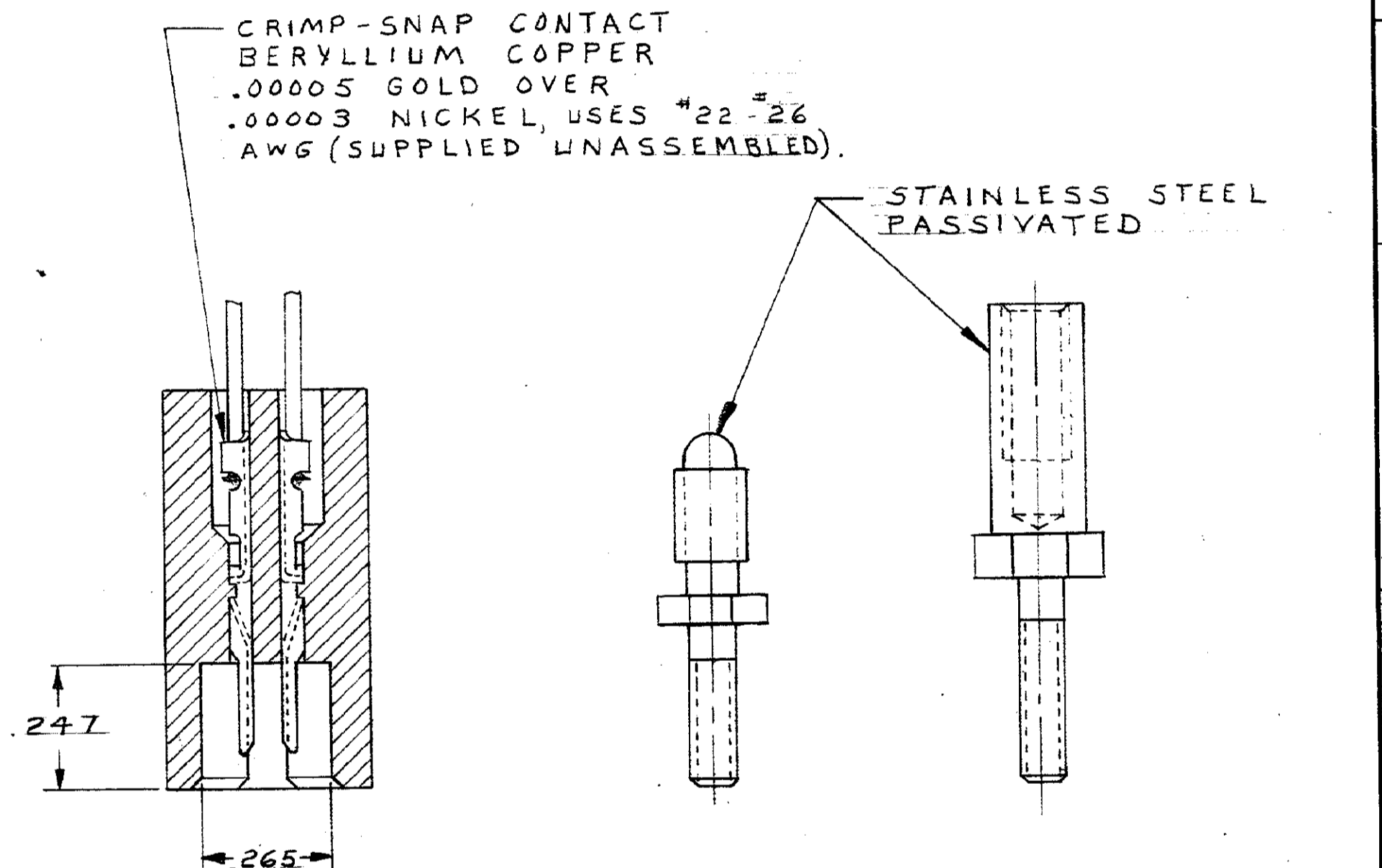
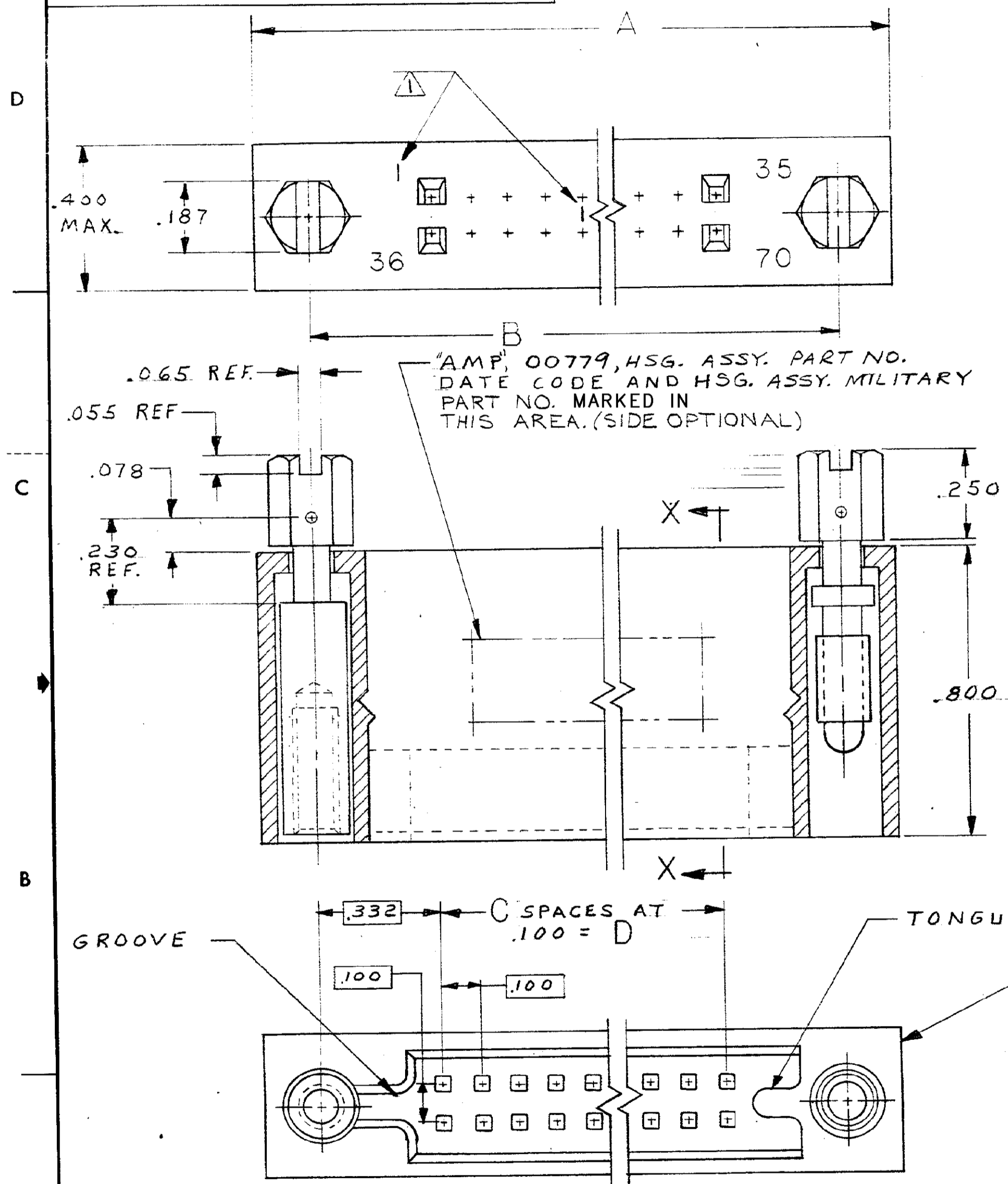


DRAWING MADE IN THIRD ANGLE PROJECTION

© COPYRIGHT 1976 BY AMP INCORPORATED, HARRISBURG, PA.  
 ALL INTERNATIONAL RIGHTS RESERVED. AMP INCORPORATED PRODUCTS  
 COVERED BY U. S. AND FOREIGN PATENTS AND/OR PATENTS PENDING.

LOC		DIST			
DF		FC			
REVISIONS					
P	F	ZONE LTR	DESCRIPTION	DATE	APPROVED
	F		ECO-08-020831	PY 10-08	BW



MALE FIXED JACKSCREW 531141-3 (M 55302/113-14)  
 FEMALE FIXED JACKSCREW 531141-4 (M 55302/113-13)

HOUSING MATL.: GLASS FILLED POLYESTER  
 COLOR: BLUE

1. NUMBERS, SEE TABLE, AND LINES INDICATING EVERY FIVE CAVITIES MARKED IN AREA SHOWN
2. MEETS PERFORMANCE REQUIREMENTS OF MIL-C-55302.
3. MATES WITH EXTERNAL KEY TYPE RECEPTACLE ASSY. 1000 SERIES, WHICH USES THE FIXED JACKSCREWS AND NUTS FOR FASTENING.
4. EACH KIT CONTAINS:
- A. 1 HOUSING ASSY. WITH TURNABLE JACKSCREWS (SEE CHART).
  - B. 2 FIXED JACKSCREWS (MALE AND/OR FEMALE) TO MATE WITH TURNABLE JACKSCREWS.
  - C. CONTACTS IN LOOSE PIECE FORM. (QTY. IS NUMBER OF POS. + 5 EXTRA.)
  - D. 2 # 2-56 STAINLESS NUTS (NOT SHOWN) FOR FIXED JACKSCREWS.

UNLESS OTHERWISE SPECIFIED DIMENSIONS ARE IN INCHES. TOLERANCES ON: DECIMALS ±.010 ANGLES ±.010		CONTRACT NO. DR <i>M. Smith</i> 5-5-78 CHK <i>R. D. ...</i> 5-10-78		PART NO.	
MATERIAL SEE CALLOUT		APPD <i>R. D. ...</i> 5-11-78 APPD <i>R. Showman</i> 5-26-78		NAME CRIMP-SNAP BOX CONTACT, PIN HEADER KIT.	
FINISH SEE CALLOUT		DSGN APPD		SIZE CODE IDENT NO DRAWING NO C 00779 530755	
		OTHER APPD		REV F	
		SCALE		SHEET 1 OF 2	


CUSTOMER DRAWING

MADE IN THIRD ANGLE PROJECTION

COPYRIGHT 1976 BY AMP INCORPORATED, HARRISBURG, PA.  
ALL INTERNATIONAL RIGHTS RESERVED. AMP INCORPORATED PRODUCTS  
COVERED BY U. S. AND FOREIGN PATENTS AND/OR PATENTS PENDING.

REVISIONS						
P	F	ZONE	LTR	DESCRIPTION	DATE	APPROVED
				SEE SHEET 1		

M55302/113-75	M	M										3-530755-6
-74	F	M	1	50	4.900	49	5.565	5.855	100			3- -5
-73	M	F	51	100								3- -4
-72	F	F										3- -3
-67	M	M										3- -2
-66	F	M	1	45	4.400	44	5.065	5.355	90			3- -1
-65	M	F	46	90								3- -0
-64	F	F										2- -9
-59	M	M										2- -8
-58	F	M	1	40	3.900	39	4.565	4.855	80			2- -7
-57	M	F	41	80								2- -6
-56	F	F										2- -5
-51	M	M										2- -4
-50	F	M	1	30	2.900	29	3.565	3.855	60			2- -3
-49	M	F	31	60								2- -2
-48	F	F										2- -1
-43	M	M										2- -0
-42	F	M	1	25	2.400	24	3.065	3.355	50			1- -9
-41	M	F	26	50								1- -8
-40	F	F										1- -7
-35	M	M										1- -6
-34	F	M	1	20	1.900	19	2.565	2.855	40			1- -5
-33	M	F	21	40								1- -4
-32	F	F										1- -3
-27	M	M										1- -2
-26	F	M	1	15	1.400	14	2.065	2.355	30			1- -1
-25	M	F	16	30								1- -0
-24	F	F										-9
-83	M	M										-8
-82	F	M	1	55	5.400	54	6.065	6.355	110			-7
-81	M	F	56	110								-6
-80	F	F										-5
-04	M	M										-4
-03	F	M	1	35	3.400	34	4.065	4.355	70			-3
-02	M	F	36	70								-2

M55302/113-01	F	F										530755-1
MILITARY PART NO.	TONGUE END GROOVE END		TURNABLE JACKSCREW IN HOUSING ASSY.		CAVITY IDENT.	"D"	"C"	"B"	"A"	POS.	PART NO	
TOLERANCES ON: DECIMALS ANGLES			CONTRACT NO			 AMP INCORPORATED Harrisburg, Pa.						
MATERIAL			DR 4-28-78			NAME CRIMP-SNAP BOX CONTACT, PIN HEADER KIT.						
FINISH			CHK M. Smith 5-10-78			APPD R. DeWine 5-10-78						
			APPD R. Spurnen 5-26-78			SIZE C			CODE IDENT NO 00779		DRAWING NO 530755	
			OTHER APPD			DSGN APPD			REV F		SHEET 2 OF 2	